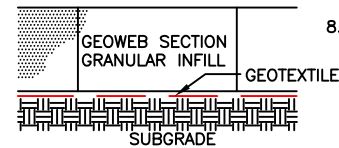
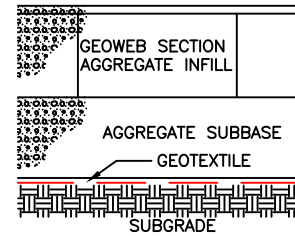


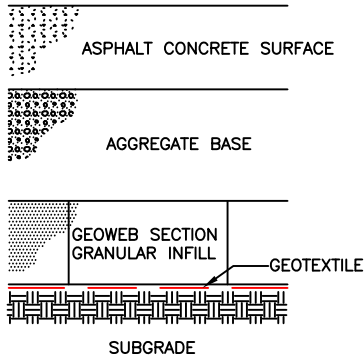
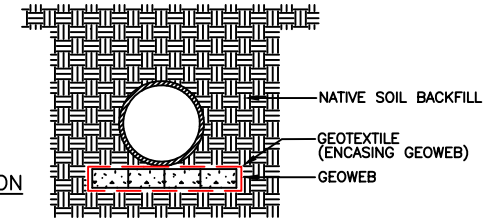
ISOMETRIC – TYPICAL LOAD SUPPORT STRUCTURE



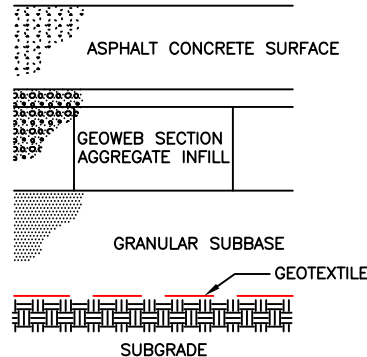
LOAD SUPPORT OVER SOFT SOIL AND AGGREGATE SURFACE STABILIZATION

NOTES:

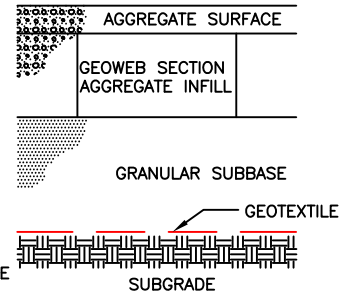
1. PREPARE THE SUBGRADE AS SHOWN ON THE CONSTRUCTION DRAWINGS.
2. COMPACT THE SOIL TO A MINIMUM 95% STANDARD PROCTOR.
3. VERIFY THAT THE SUBGRADE STRENGTH. IF UNACCEPTABLE, THE SOILS SHALL BE REMOVED AND REPLACED AS DIRECTED BY THE ENGINEER.
4. WHERE REQUIRED, PROVIDE GEOTEXTILE SEPARATION LAYER.
5. WHERE REQUIRED, PLACE AND COMPACT SUBBASE MATERIAL TO A MINIMUM 95% STANDARD PROCTOR.
6. EXPAND THE GEOWEB SECTIONS INTO POSITION AND CONNECT THE END TO END AND INTERLEAF CONNECTIONS WITH ATRA KEYS.
7. PLACE THE SPECIFIED INFILL MATERIAL TO 2 INCHES ABOVE CELL WALLS AND COMPACT TO A MINIMUM 95% STANDARD PROCTOR.
8. PROVIDE ADDITIONAL SURFACE MATERIAL, AS SPECIFIED.



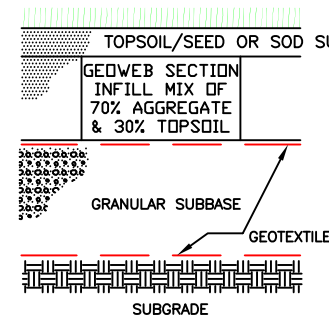
PAVEMENT SUBBASE STABILIZATION



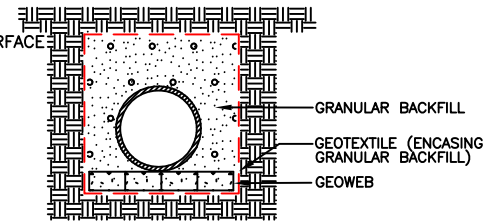
PAVEMENT BASE STABILIZATION



GRANULAR PAVEMENT



GRASS PAVEMENT



PIPE SUPPORT

NOTE: THE GEOTEXTILE SHOWN IN THE DETAILS IS OPTIONAL AND BASED ON SITE CONDITIONS.

THIS DRAWING IS COPYRIGHTED AND BASED UPON THE USE OF GENUINE GEOWEB MANUFACTURED BY PRESTO GEOSYSTEMS. ANY USE OF THIS DRAWING FOR ANY PRODUCT OTHER THAN THAT MANUFACTURED BY PRESTO GEOSYSTEMS IS STRICTLY PROHIBITED.

PRESTO® PRODUCTS CO.
 670 NORTH PERKINS STREET
 APPLETON, WI 54914
 920-738-1328
 WWW.PRESTOGEO.COM

GEOSYSTEMS

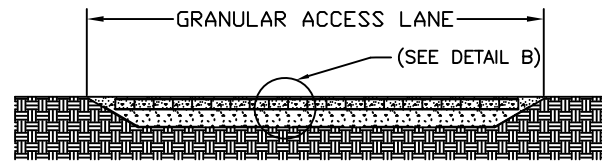
GENUINE GEOWEB®
 LOAD SUPPORT DETAILS

PRESTO®, GEOWEB®, AND ATRA® ARE REGISTERED TRADEMARKS OF PRESTO PRODUCTS.

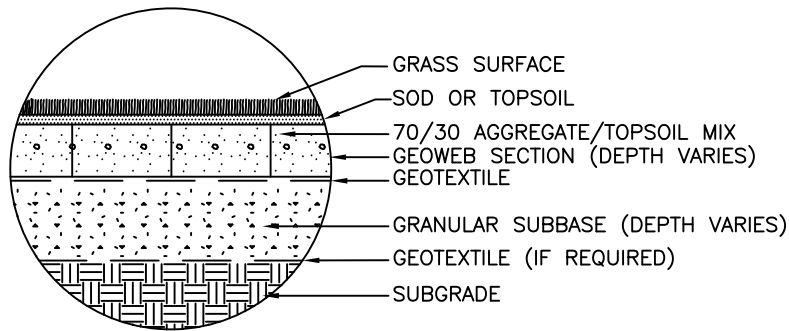
DATE	NOVEMBER 2019	FILE NAME	GWLD1F.DWG
SCALE	NTS	SHEET	1
© 2010 PRESTO GEOSYSTEMS			



SECTION A - A

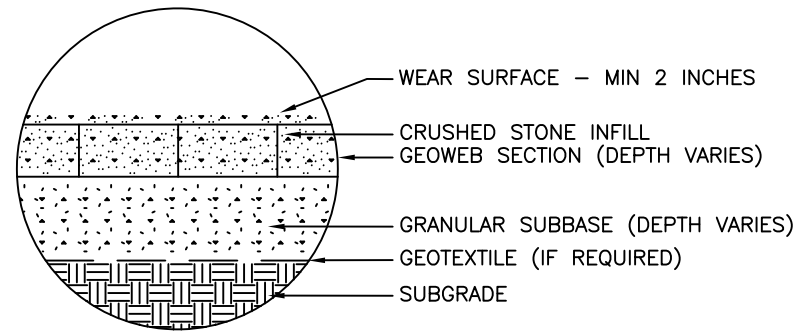


SECTION B - B



DETAIL A

TYPICAL GRASS PAVEMENT DETAILS



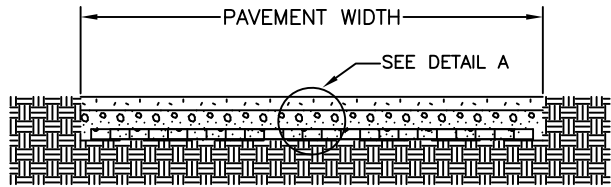
DETAIL B

TYPICAL GRANULAR PAVEMENT DETAILS

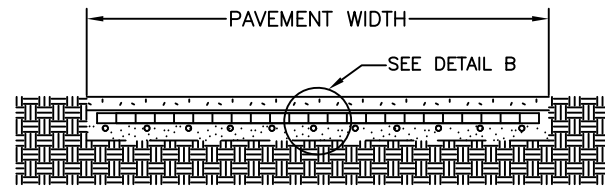
	PRESTO® PRODUCTS CO. 670 NORTH PERKINS STREET APPLETON, WI 54914 920-738-1328 WWW.PRESTOGEO.COM
	GENUINE GEOWEB® SURFACE PAVEMENT DETAILS

THIS DRAWING IS COPYRIGHTED AND BASED UPON THE USE OF GENUINE GEOWEB MANUFACTURED BY PRESTO GEOSYSTEMS. ANY USE OF THIS DRAWING FOR ANY PRODUCT OTHER THAN THAT MANUFACTURED BY PRESTO GEOSYSTEMS IS STRICTLY PROHIBITED.

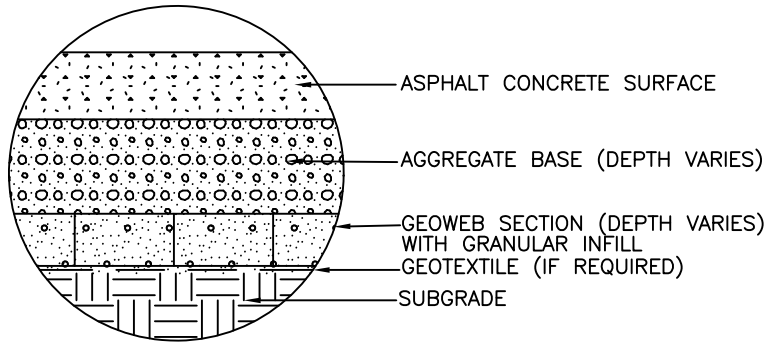
<small>PRESTO®, GEOWEB®, AND ATRA® ARE REGISTERED TRADEMARKS OF PRESTO PRODUCTS.</small>	
DATE	NOVEMBER 2019
SCALE	NTS
SHEET	1
FILE NAME	GWLD2F.DWG
© 2010 PRESTO GEOSYSTEMS	



SECTION A - A

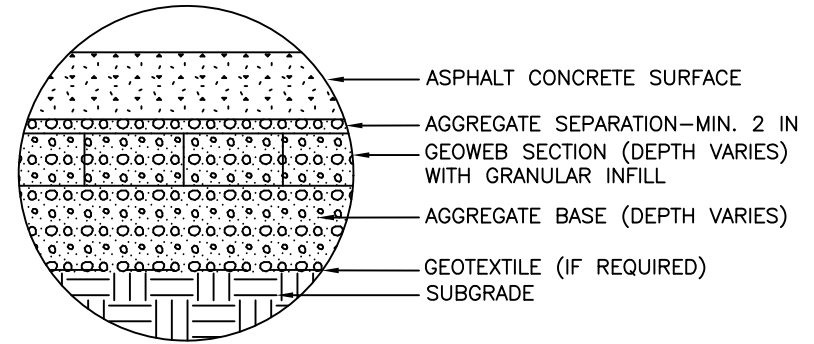


SECTION B - B



DETAIL A

PAVEMENT SUBBASE STABILIZATION



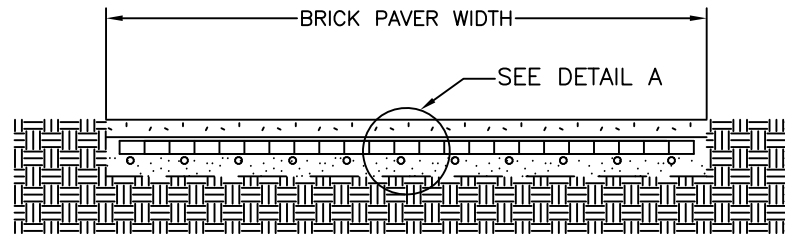
DETAIL B

PAVEMENT BASE STABILIZATION

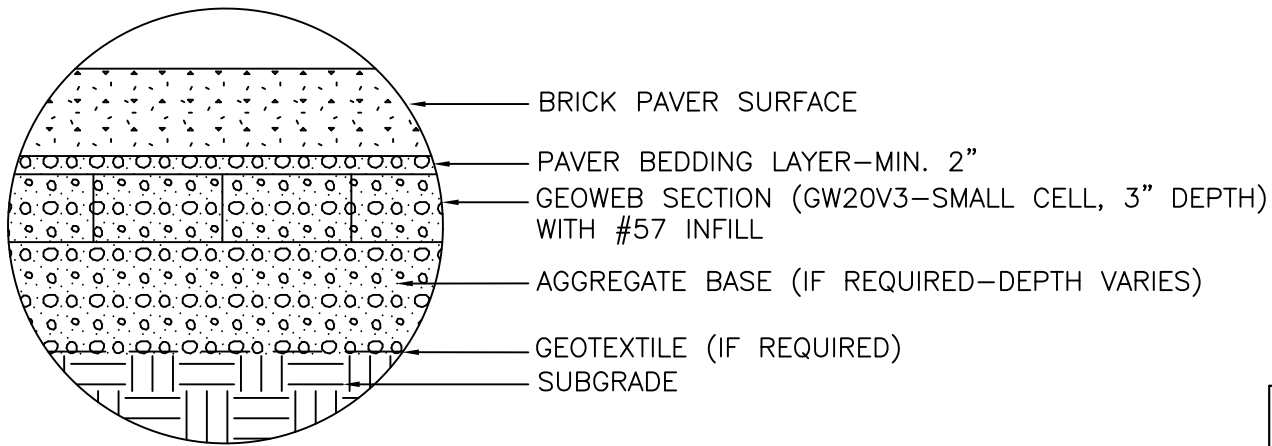
	PRESTO® PRODUCTS CO. 670 NORTH PERKINS STREET APPLETON, WI 54914 920-738-1328 WWW.PRESTOGEOSYSTEMS.COM
	GENUINE GEOWEB® BASE STABILIZATION

THIS DRAWING IS COPYRIGHTED AND BASED UPON THE USE OF GENUINE GEOWEB MANUFACTURED BY PRESTO GEOSYSTEMS. ANY USE OF THIS DRAWING FOR ANY PRODUCT OTHER THAN THAT MANUFACTURED BY PRESTO GEOSYSTEMS IS STRICTLY PROHIBITED.

<small>PRESTO®, GEOWEB®, AND ATRA® ARE REGISTERED TRADEMARKS OF PRESTO PRODUCTS.</small>	
DATE	NOVEMBER 2019
SCALE	NTS
SHEET	1
FILE NAME	GWLD3F.DWG
© 2010 PRESTO GEOSYSTEMS	



SECTION A - A



DETAIL A

BRICK PAVER BASE STABILIZATION

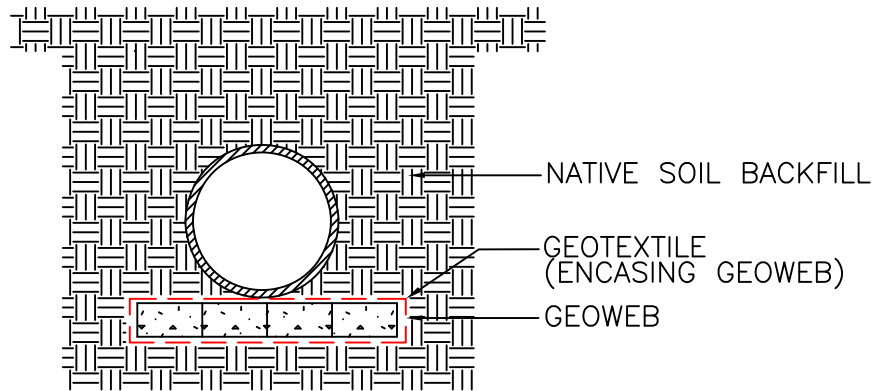
	PRESTO® PRODUCTS CO. 670 NORTH PERKINS STREET APPLETON, WI 54914 920-738-1328 WWW.PRESTOGEO.COM
---	--

THIS DRAWING IS COPYRIGHTED AND BASED UPON THE USE OF GENUINE GEOWEB MANUFACTURED BY PRESTO GEOSYSTEMS. ANY USE OF THIS DRAWING FOR ANY PRODUCT OTHER THAN THAT MANUFACTURED BY PRESTO GEOSYSTEMS IS STRICTLY PROHIBITED.

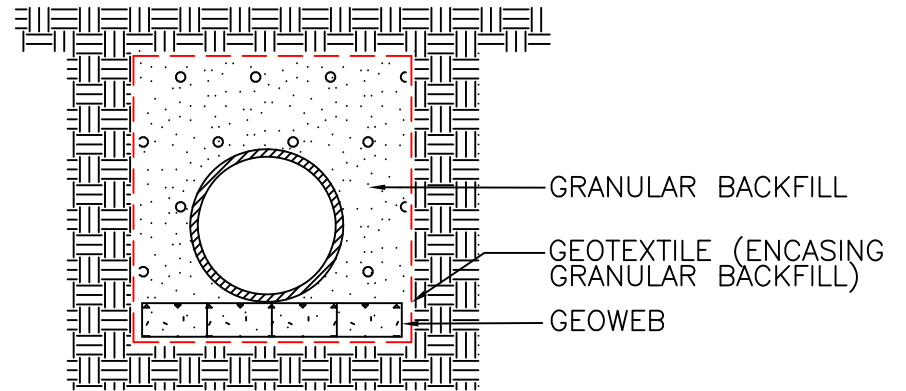
**GENUINE GEOWEB®
PAVER BASE STABILIZATION**

PRESTO®, GEOWEB®, AND ATRA® ARE REGISTERED TRADEMARKS OF PRESTO PRODUCTS.


DATE	NOVEMBER 2019	FILE NAME	GWLD4F.DWG
SCALE	NTS	SHEET	1 © 2010 PRESTO GEOSYSTEMS



NATIVE SOIL PIPE SUPPORT



DRAINAGE MATERIAL PIPE SUPPORT

	PRESTO® PRODUCTS CO. 670 NORTH PERKINS STREET APPLETON, WI 54914 920-738-1328 WWW.PRESTOCEO.COM		
	GENUINE GEOWEB® PIPE SUPPORT DETAILS		
<small>PRESTO,® GEOWEB,® AND ATRA® ARE REGISTERED TRADEMARKS OF PRESTO PRODUCTS.</small>			
DATE	NOVEMBER 2019	FILE NAME	GWLD5F.DWG
SCALE	NTS	SHEET	1 © 2010 PRESTO GEOSYSTEMS

THIS DRAWING IS COPYRIGHTED AND BASED UPON THE USE OF GENUINE GEOWEB MANUFACTURED BY PRESTO GEOSYSTEMS. ANY USE OF THIS DRAWING FOR ANY PRODUCT OTHER THAN THAT MANUFACTURED BY PRESTO GEOSYSTEMS IS STRICTLY PROHIBITED.